

Circular Flow Cassette

Models (Slim type)

AUXM018GLAH
AUXM024GLAH
AUXM030GLAH

AUXM018GTAH
AUXM024GTAH



Black panel

Models (Large type)

AUXK018GLAH
AUXK024GLAH
AUXK030GLAH
AUXK034GLAH
AUXK036GLAH
AUXK045GLAH
AUXK054GLAH

AUXK030GTAH
AUXK036GTAH
AUXK045GTAH
AUXK054GTAH



Black panel



Feature

Unique Circular Flow design

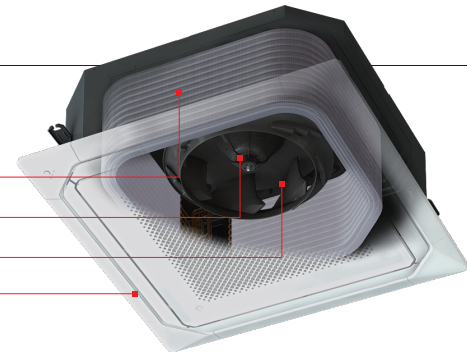
New Cassette type realizes Circular Flow to blow large airflow in 360° direction by mounting high performance DC fan motor, new turbo fan and unique seamless airflow louver design.

Ø7mm high density heat exchanger

New DC fan motor

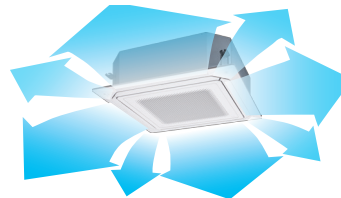
High efficient turbo fan

Seamless airflow louver



Uniform temperature air conditioning

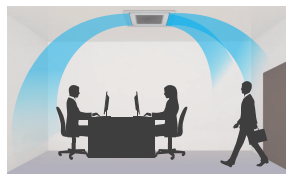
Achieve a comfortable air conditioning spread to every corner of the room by circular flow & wide vertical airflow.



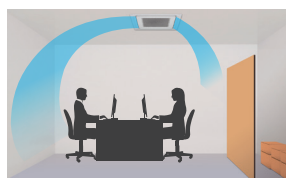
Individual louver control

Each louver can be set individually by Touch Panel Wired Remote Controller to enjoy the comfort of different directional airflows according to various room layouts.

* Touch Panel Wired RC (UTY-RNRYZ2) only



Comfortable air conditioning by preventing direct blowing of cold air and by providing swinging air flow simultaneously.



Efficient air conditioning based on the room layout

Human sensor increases more energy saving

Energy saving operation starts automatically by detecting the motion of a person. 2 modes of save operation mode and stop mode can be selected.

*Touch Panel Wired RC (UTY-RNRYZ2) only



Human sensor (Option)

2 modes can be selected

Auto saving

Power is saved while people are away.

Auto OFF

Operation stops after people go out.

Optional parts

Human Sensor Kit:

UTY-SHZXC

Wide Panel:

UTG-AKXA-W

Panel Spacer:

UTG-BKXA-W

Fresh Air Intake Kit:

UTZ-VXRA

Air Outlet Shutter Plate:

UTR-YDZK

Insulation Kit for High Humidity:

UTZ-KXRA

Cassette Grille:

UTG-UKYA-W, UTG-UKYA-B (Black)



Specifications

Model name		AUXM018GLAH AUXM018GTAH	AUXM024GLAH AUXM024GTAH	AUXM030GLAH	AUXK018GLAH	AUXK024GLAH	AUXK030GLAH AUXK030GTAH	AUXK034GLAH	AUXK036GLAH AUXK036GTAH	AUXK045GLAH AUXK045GTAH	AUXK054GLAH AUXK054GTAH	
Power source		Single - phase, ~230V, 50Hz										
Capacity	Cooling	5.6	7.1	9.0	5.6	7.1	9.0	10.0	11.2	12.5	14.0	
	Heating	6.3	8.0	10.0	6.3	8.0	10.0	11.2	12.5	14.0	16.0	
Input power		20	25	49	40	40	47	47	61	89	116	
Airflow rate	High	1,050	1,120	1,470	1,420	1,420	1,440	1,440	1,620	1,820	2,040	
	Med-Hi	930	1,050	1,160	1,360	1,360	1,400	1,400	1,500	1,590	1,800	
	Med	900	930	1,070	1,300	1,300	1,340	1,340	1,400	1,500	1,590	
	Lo-Hi	870	900	930	1,270	1,270	1,300	1,300	1,340	1,400	1,440	
	Low	810	870	900	1,200	1,200	1,280	1,280	1,280	1,300	1,300	
Sound pressure level	Quiet	780	780	780	1,150	1,150	1,150	1,150	1,150	1,150	1,150	
	High	33	35	40	38	38	39	39	41	44	47	
	Med-Hi	32	33	36	37	37	38	38	40	42	45	
	Med	31	32	34	36	36	37	37	38	40	42	
	Lo-Hi	30	31	32	35	35	36	36	37	38	39	
Dimensions (H × W × D)	mm	246×840×840	246×840×840	246×840×840	288×840×840	288×840×840	288×840×840	288×840×840	288×840×840	288×840×840	288×840×840	
	kg	24.0	24.5	24.5	26.5	26.5	29.5	29.5	29.5	29.5	29.5	
Connection pipe diameter	Liquid (Flare)	6.35	9.52	9.52	6.35	9.52	9.52	9.52	9.52	9.52	9.52	
	Gas (Flare)	12.70	15.88	15.88	12.70	15.88	15.88	15.88	15.88	15.88	15.88	
Drain hose diameter (I.D./O.D.)		25 / 32										
Cassette Grille		UTG-UKYC-W / UTG-UKYA-B (Black)										
Model name		53×950×950										
Dimensions (H×W×D)		6.0										
Weight		6.0										

Note : Specifications are based on the following conditions.

Cooling : Indoor temperature of 27°CDB / 19°CWB, and outdoor temperature of 35°CDB / 24°CWB.

Heating : Indoor temperature of 20°CDB / (15°CWB), and outdoor temperature of 7°CDB / 6°CWB.

Pipe length : 7.5 m; Height difference between outdoor unit and indoor unit : 0 m. Voltage : 230 [V].

When AUX*018GLAH is connected to the outdoor unit other than J-III, pipe diameter should be $\varnothing 9.52/\varnothing 15.88$ (Liq/Gas)

When AUXK036GLAH, AUXK045GLAH, and AUXK054GLAH are connected to the outdoor unit other than J-III, gas pipe diameter should be $\varnothing 19.05$.

Dimensions (Unit: mm)

Models: AUXM018 / AUXM024 / AUXM030

Models: AUXK018 / AUXK024 / AUXK030 / AUXK034 /
AUXK036 / AUXK045 / AUXK054

