

Wall Mounted

Models (EEV internal)

- ASYA07GACH ASYA07GATH
- ASYA09GACH ASYA09GATH
- ASYA12GACH ASYA12GATH
- ASYA14GACH ASYA14GATH



Feature

Filter features

High performance filter provides high quality air conditioning



Long-life* Ion Deodorization Filter

The filter deodorizes by powerfully decomposing absorbed odors using the oxidizing and reducing effects of ions generated by the ultra-fine-particle ceramic.

(*The filter can be used for approx. 3 years if it is washed under water to restore its surface action when it is dirty.)

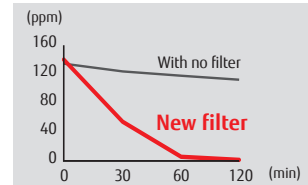


Apple-catechin Filter

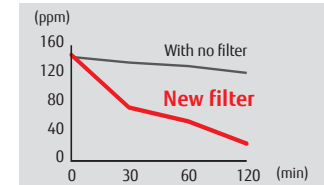
Fine dust, invisible mold spores, and harmful microorganisms are absorbed onto the filter by static electricity, and further growth is inhibited and deactivated by the polyphenol extracted from apples.

Deodorizing effect (Odor reduction rate)

Ammonia



Trimethylamine



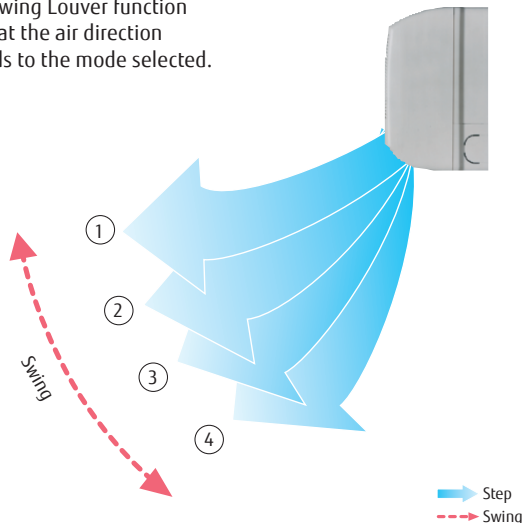
Hydrogen sulfate



High performance filters have been thoroughly tested by the Environmental Sanitary Inspection Center using an advanced Deodorization Test.

Auto swing louver

The Auto Swing Louver function ensures that the air direction corresponds to the mode selected.

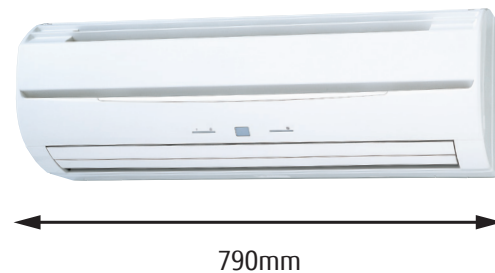


Compact size

Powerful output even compact design

Though the indoor unit is compact, it features a large, high pressure cross fan (90mm diameter) in a centre mounted configuration and a Lambda type heat exchanger to provide plenty of power.

Width
790 mm



High power DC fan motor

- High power
- Wide rotation range
- High efficiency
- Compact size



Easy maintenance

Easy maintenance has been realized as the front panel can be removed for easy access.



Symmetrical design

Symmetrical, clean design that suits all interiors.

Specifications

Model name		ASYA07GACH ASYA07GATH	ASYA09GACH ASYA09GATH	ASYA12GACH ASYA12GATH	ASYA14GACH ASYA14GATH
Power source		Single - phase, ~230V, 50Hz			
Capacity	Cooling	2.2	2.8	3.6	4.5
	Heating	2.8	3.2	4.1	5.0
Input power		17	18	22	34
Airflow rate	High	490	500	560	670
	Med	450	450	480	490
	Low	370/420*	370/420*	420	420
Sound pressure level	High	35	36	39	44
	Med	33	33	35	37
	Low	27/31*	27/31*	31	32
Dimensions (H × W × D)		275 × 790 × 215	275 × 790 × 215	275 × 790 × 215	275 × 790 × 215
Weight		9	9	9	9
Connection pipe diameter	Liquid (Flare)	6.35	6.35	6.35	6.35
	Gas (Flare)	12.70	12.70	12.70	12.70
Drain hose diameter (I.D./O.D.)		13.8 / 15.8 to 16.7			

Note : Specifications are based on the following conditions.

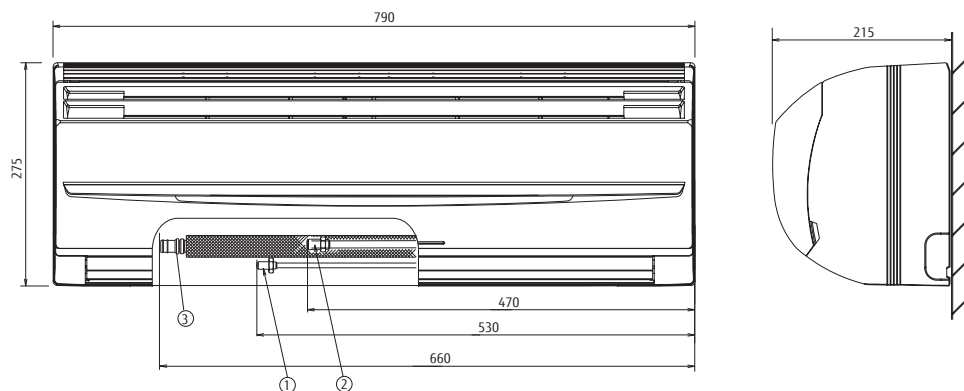
Cooling : Indoor temperature of 27°CDB / 19°CWB, and outdoor temperature of 35°CDB / 24°CWB.

Heating : Indoor temperature of 20°CDB / (15°CWB), and outdoor temperature of 7°CDB / 6°CWB.

Pipe length : 7.5 m; Height difference between outdoor unit and indoor unit : 0 m. Voltage : 230 [V].

*: This value is under cooling operation.

Dimensions (Unit: mm)



- ① Refrigerant piping flare connection (Liquid)
- ② Refrigerant piping flare connection (Gas)
- ③ Drain piping connection

Wall Mounted

Models

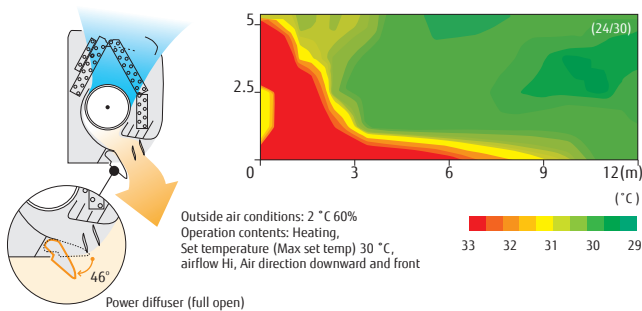
- ASYA18GACH ASYA18GATH
- ASYA24GACH ASYA24GATH
- ASYA30GACH ASYA30GATH



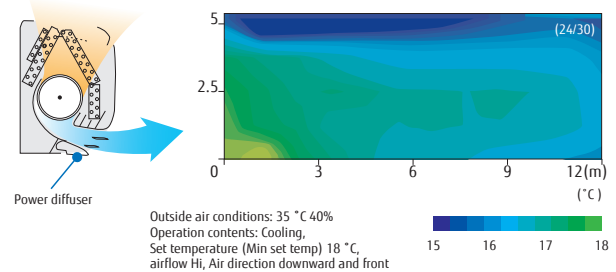
Feature

More comfort airflow by adopting power diffuser

"Vertical airflow" provides powerful floor level heating



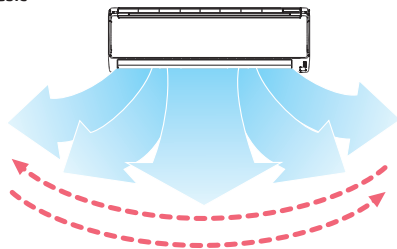
"Horizontal airflow" does not blow cool air directly at the occupants in the room



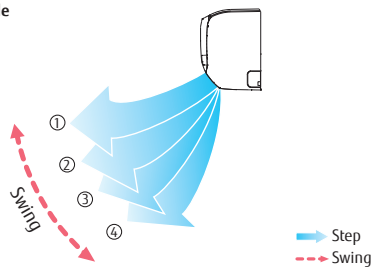
Double auto swing

A combination of up/down and right/left directional swing allows three-dimensional air direction control.

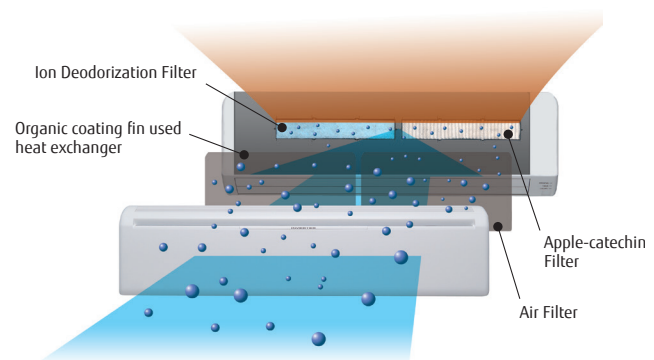
5 steps selectable



4 steps selectable



Air conditioner filter features



High quality air conditioning by incorporation of high performance filter.

Ion Deodorization Filter

The filter deodorizes by powerfully decomposing absorbed odors using the oxidizing and reducing effects of ions generated by the ultra-fine-particle ceramic.

Apple-catechin Filter

Apple-catechin filter uses static electricity to clean fine particles and dust in the air.

Compact & Slim design

By using DC fan motor, compact design is realized.



Easy maintenance

Simplification of drain pan cleaning improves maintenance-ability.

Specifications

Model name			ASYA18GACH ASYA18GATH	ASYA24GACH ASYA24GATH	ASYA30GACH ASYA30GATH
Power source			Single - phase, ~230V, 50Hz		
Capacity	Cooling	kW	5.6	7.1	8.0
	Heating		6.3	8.0	9.0
Input power		W	32	60	91
Airflow rate	High	m ³ /h	840	1,100	1,240
	Med		770	910	980
	Low		690	730	770
Sound pressure level	High	dB (A)	41	48	52
	Med		39	43	45
	Low		35	35	35
Dimensions (H × W × D)		mm	320 × 998 × 228	320 × 998 × 228	320 × 998 × 228
Weight		kg	15	15	15
Connection pipe diameter	Liquid (Flare)	mm	9.52	9.52	9.52
	Gas (Flare)		15.88	15.88	15.88
Drain hose diameter (I.D./O.D.)			12 / 16		

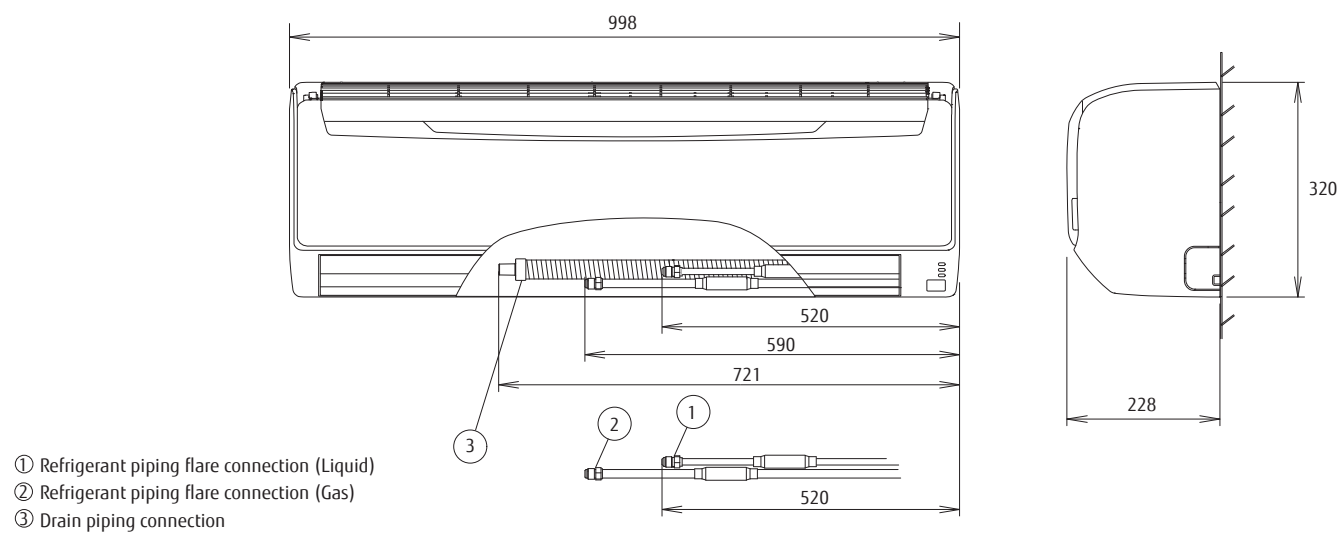
Note : Specifications are based on the following conditions.

Cooling : Indoor temperature of 27°CDB / 19°CWB, and outdoor temperature of 35°CDB / 24°CWB.

Heating : Indoor temperature of 20°CDB / (15°CWB), and outdoor temperature of 7°CDB / 6°CWB.

Pipe length : 7.5 m; Height difference between outdoor unit and indoor unit : 0 m. Voltage : 230 [V].

Dimensions (Unit: mm)



- ① Refrigerant piping flare connection (Liquid)
- ② Refrigerant piping flare connection (Gas)
- ③ Drain piping connection