

# High Static Pressure Duct

**Models**  
ARXC45GATH  
ARXC60GATH



**Models**  
ARXC72GATH  
ARXC90GATH



## Feature

### Easy installation (Compact size & Lightweight)

**Models : ARXC45 / ARXC60**

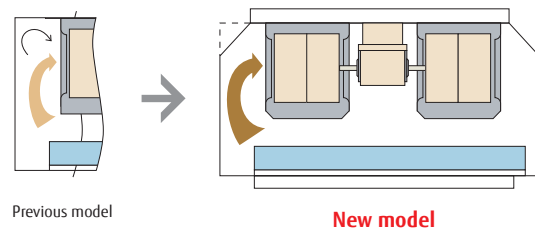
A compact size and lightweight indoor unit has been developed by reducing the basic chassis and the overall material weight.



### Low noise

**Models : ARXC45 / ARXC60**

Cutting off the corners of the conventional indoor unit front panel and fan casing, has enabled less turbulent airflow. Low noise is realized by adopting a plastic case and a plastic fan.



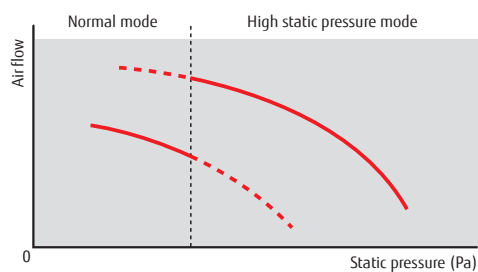
### Static pressure selection

**Models : ARXC72 / ARXC90**

2 Types of static pressure mode are selectable.

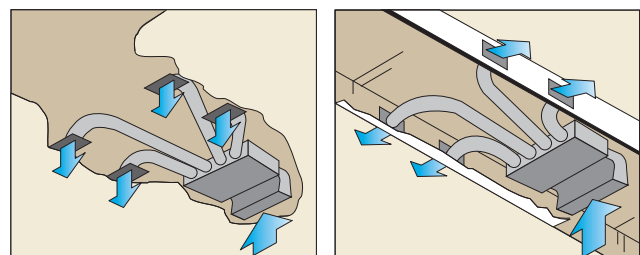


### High Static Pressure Duct (ARXC72)



The adoption of a single phase fan motor allows 3 steps fan speed control

### Installation styles



### Optional parts

- Long-Life Filter : UTD-LF60KA (For ARXC45/60)
- IR Receiver Unit : UTB-YWC
- Remote Sensor Unit : UTY-XSZX



## Specifications

Model name		ARXC45GATH	ARXC60GATH	ARXC72GATH	ARXC90GATH
Power source		Single - phase, ~230V, 50Hz			
Capacity	Cooling	12.5	18.0	22.4	25.0
	Heating	14.0	20.0	25.0	28.0
Input power		715	730	1,110	1,250
Airflow rate	High	3,500	3,500	3,900	4,300
	Med	3,000	3,000	3,300	4,000
	Low	2,460	2,460	3,000	3,500
Static pressure range		100 to 250	100 to 250	50 to 300	100 to 300
Standard static pressure		100	100	260	250
Sound pressure level	High	49	49	51	53
	Med	45	45	48	51
	Low	42	42	45	49
Dimensions (H × W × D)		400 × 1,050 × 500	400 × 1,050 × 500	450 × 1,550 × 700	450 × 1,550 × 700
Weight		46	46	83	85
Connection pipe diameter	Liquid (Flare)	9.52 (Flare)	9.52 (Flare)	12.70 (Brazing)	12.70 (Brazing)
	Gas (Flare)	19.05 (Flare)	19.05 (Flare)	22.22 (Brazing)	22.22 (Brazing)
Drain hose diameter (I.D./O.D.)		25 / 32			

Note : Specifications are based on the following conditions.

Cooling : Indoor temperature of 27°CDB / 19°CWB, and outdoor temperature of 35°CDB / 24°CWB.

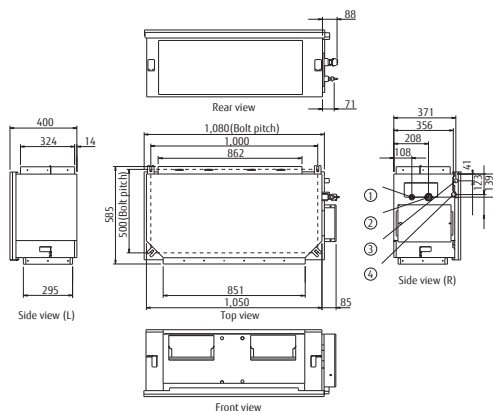
Heating : Indoor temperature of 20°CDB / (15°CWB), and outdoor temperature of 7°CDB / 6°CWB.

Pipe length : 7.5 m; Height difference between outdoor unit and indoor unit : 0 m. Voltage : 230 [V].

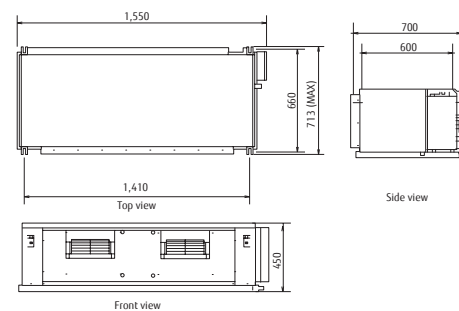
\*:ARXC60/72/90 can not be connected to J-III Series, J-II Series and J-IIS Series.

## Dimensions (Unit: mm)

Models: ARXC45 / ARXC60



Models: ARXC72 / ARXC90



- ① Refrigerant pipe flare connection (Liquid)
- ② Refrigerant pipe flare connection (Gas)
- ③ Drain hose connection