

Floor / Ceiling

Models

- ABYA12GATH
- ABYA14GATH
- ABYA18GATH
- ABYA24GATH



Floor standing



Feature

Flexible installation

Example for floor installation

Floor console



Example for ceiling installation

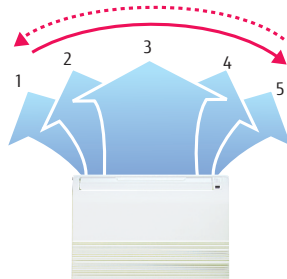
Under ceiling



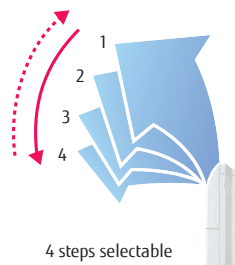
Double auto swing

A combination of up/down and right/left directional swing allows three-dimensional air direction control.

RIGHT and LEFT SWING



UP and DOWN SWING



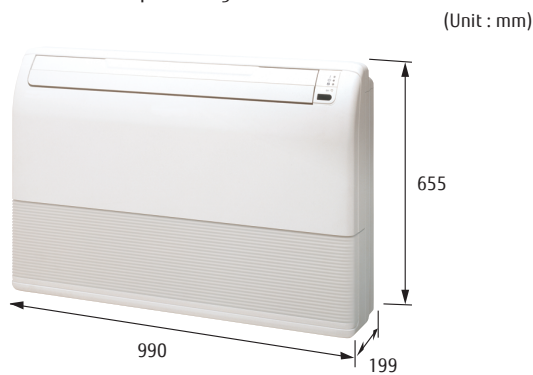
High power DC fan motor

- High power
- Wide rotation range
- High efficiency



Compact design

Symmetrical, slim and compact design.



Auto-closing louver

When operation is stopped, the louvers will automatically close. (This function is available on all non-ducted models.)

Super vane

Double Louver Super vane with newly developed special configuration boosts airflow sending cool air quickly to every corner of the room.

Specifications

| Model name | | ABYA12GATH | ABYA14GATH | ABYA18GATH | ABYA24GATH |
|---------------------------------|----------------|-----------------------------|-----------------|-----------------|-----------------|
| Power source | | Single - phase, ~230V, 50Hz | | | |
| Capacity | Cooling | 3.6 | 4.5 | 5.6 | 7.1 |
| | Heating | 4.0 | 5.0 | 6.3 | 8.0 |
| Input power | | 30 | 42 | 74 | 99 |
| Airflow rate | High | 660 | 780 | 1,000 | 1,000 |
| | Med | 570 | 640 | 720 | 820 |
| | Low | 490 | 550 | 580 | 680 |
| Sound pressure level | High | 36 | 40 | 46 | 47 |
| | Med | 32 | 36 | 39 | 42 |
| | Low | 28 | 34 | 35 | 37 |
| Dimensions (H × W × D) | | mm 199 × 990 × 655 | 199 × 990 × 655 | 199 × 990 × 655 | 199 × 990 × 655 |
| Weight | | kg 25 | 26 | 26 | 27 |
| Connection pipe diameter | Liquid (Flare) | 6.35 | 6.35 | 9.52 | 9.52 |
| | Gas (Flare) | 12.70 | 12.70 | 15.88 | 15.88 |
| Drain hose diameter (I.D./O.D.) | | 25 / 32 | | | |

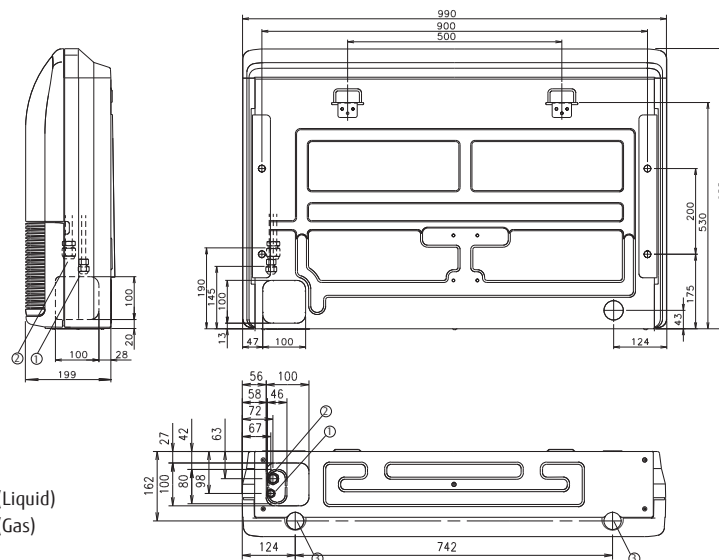
Note : Specifications are based on the following conditions.

Cooling : Indoor temperature of 27°CDB / 19°CWB, and outdoor temperature of 35°CDB / 24°CWB.

Heating : Indoor temperature of 20°CDB / (15°CWB), and outdoor temperature of 7°CDB / 6°CWB.

Pipe length : 7.5 m; Height difference between outdoor unit and indoor unit : 0 m. Voltage : 230 [V].

Dimensions (Unit: mm)



- ① Refrigerant piping flare connection (Liquid)
- ② Refrigerant piping flare connection (Gas)
- ③ Drain piping connection