

Cassette

Circular Flow Series

Comfort for Large Rooms

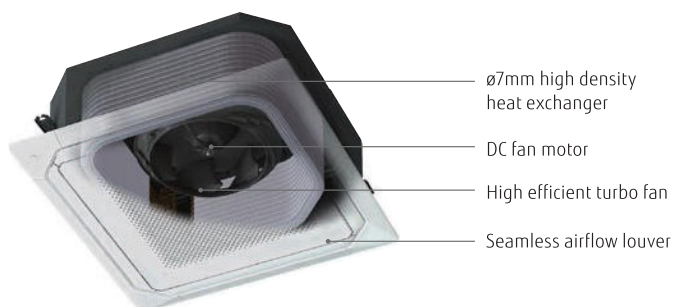
UTG-UKGA-B
Black Grille



(30/36/45/54)

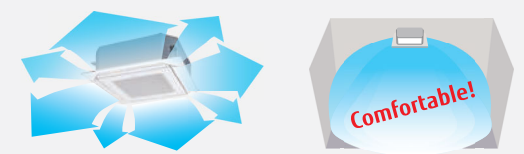
Uniform air distribution by the seamless air opening

In new model, the gaps between each airflow openings are removed, which enables to distribute wider and uniform airflow to room.



Uniform temperature air conditioning

Achieve a comfortable air conditioning spread to every corner of the room by circular flow & wide vertical airflow.



Individual louver control

Each louver can be set individually by Touch Panel Wired Remote Controller to enjoy the comfort of different directional airflows according to various room layouts.

*Touch Panel Wired RC (UTY-RNRGZ5) only



Comfortable air conditioning by preventing direct blowing of cold air and by providing swinging air flow simultaneously.

Efficient air conditioning based on the room layout

Various Cassette Grille

Both black and white color grilles are available. There are three types, white color grille with Remote Controller, only white color grille and only black color grille. Possible to choose according to the atmosphere and the use of the room.

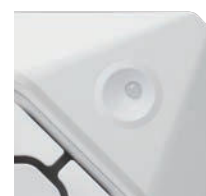


UTG-UKGA-W
White Color Grille
With touch panel wired remote controller



Human Sensor for Energy Saving (Option)

• Human sensor



2 modes can be selected.

- Auto saving** Power is saved while people are away.
- Auto OFF** Operation stops after people go out.

*Touch Panel Wired RC (UTY-RNRGZ5) only

Model: AUXG18KRLB / AUXG24KRLB / AUXG30KRLB / AUXG36KRLB / AUXG45KRLB / AUXG54KRLB
AUXG36KRLB [3-phase] / AUXG45KRLB [3-phase] / AUXG54KRLB [3-phase]



Specifications

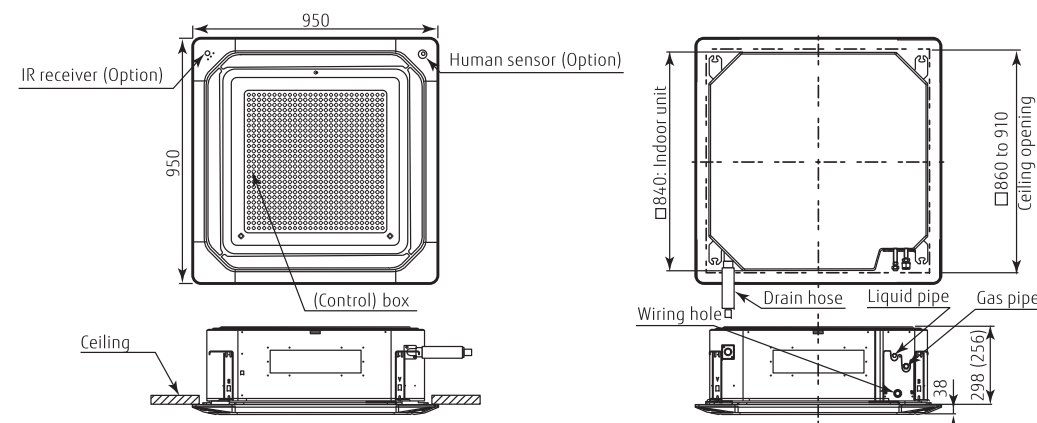
Model name	Indoor unit		AUXG18KRLB	AUXG24KRLB	AUXG30KRLB	AUXG36KRLB	AUXG45KRLB	AUXG54KRLB	AUXG36KRLB	AUXG45KRLB	AUXG54KRLB
	Outdoor unit		AOHG18KATA	AOHG24KATA	AOHG30KATA	AOHG36KATA	AOHG45KATA	AOHG54KATA	AOHG36KQTA	AOHG45KQTA	AOHG54KQTA
Power Source		V/∅/Hz	230/1/50	230/1/50	230/1/50	230/1/50	230/1/50	230/1/50	400/3/50	400/3/50	400/3/50
Capacity	Cooling (Min.-Max.)	kW	5.2 (0.9-5.4)	6.8 (0.9-7.4)	8.5 (2.8-9.6)	9.5 (2.8-10.6)	12.1 (4.0-12.6)	13.4 (4.5-13.8)	9.5 (2.8-10.6)	12.1 (4.0-12.6)	13.4 (4.5-13.8)
		Btu/h	17,700 (3,100-18,400)	23,200 (3,100-25,200)	29,000 (9,600-32,700)	32,400 (9,600-36,100)	41,300 (13,600-43,000)	45,700 (15,400-47,100)	32,400 (9,600-36,100)	41,300 (13,600-43,000)	45,700 (15,400-47,100)
Capacity	Heating (Min.-Max.)	kW	6.0 (0.9-6.3)	7.5 (0.9-8.6)	10.0 (2.7-10.8)	10.8 (2.7-12.5)	13.5 (4.2-15.0)	15.5 (4.7-16.0)	10.8 (2.7-12.5)	13.5 (4.2-15.0)	15.5 (4.7-16.0)
		Btu/h	20,500 (3,100-21,400)	25,600 (3,100-29,300)	34,100 (9,200-36,800)	36,900 (9,200-42,600)	46,000 (14,300-51,200)	52,900 (16,000-54,600)	36,900 (9,200-42,600)	46,000 (14,300-51,200)	52,900 (16,000-54,600)
Input Power	Cooling/Heating	kW	1.60/1.66	2.12/1.97	2.56/2.64	3.06/2.58	4.32/3.77	4.87/4.86	3.06/2.58	4.32/3.77	4.87/4.86
EER	Cooling	W/W	3.25	3.21	3.32	3.10	2.80	2.75	3.10	2.80	2.75
COP	Heating	W/W	3.61	3.81	3.79	4.19	3.58	3.19	4.19	3.58	3.19
Running Current	Cooling/Heating	A	7.4/7.7	9.3/8.7	11.3/11.7	13.6/11.4	18.8/16.6	21.4/21.3	5.9/5.9	7.8/7.0	8.6/8.6
Moisture Removal		l/h	1.5	2.7	2.5	3.3	4.5	5.0	3.3	4.5	5.0
Sound Pressure Level	Indoor (Cooling)(H/M/L/Q)	dB(A)	33/32/31/28	35/33/32/29	40/38/36/33	44/41/38/34	46/42/39/35	47/43/40/36	44/41/38/34	46/42/39/35	47/43/40/36
	Indoor (Heating)(H/M/L/Q)	dB(A)	33/32/31/28	35/33/32/29	40/38/36/33	44/41/38/34	46/42/39/35	47/43/40/36	44/41/38/34	46/42/39/35	47/43/40/36
Airflow Rate (Cooling/Heating)	Indoor (High)	m ³ /h	1,050/1,050	1,150/1,150	1,600/1,600	1,870/1,870	2,000/2,000	2,100/2,100	1,870/1,870	2,000/2,000	2,100/2,100
	Outdoor	m ³ /h	1,710/1,840	2,885/2,350	3,750/3,750	3,750/3,750	4,450/4,450	4,450/4,780	3,750/3,750	4,450/4,450	4,450/4,780
Net Dimensions H x W x D	Indoor / grille	mm	246 × 840 × 840 / 53 × 950 × 950	246 × 840 × 840 / 53 × 950 × 950	288 × 840 × 840 / 53 × 950 × 950	288 × 840 × 840 / 53 × 950 × 950	288 × 840 × 840 / 53 × 950 × 950	288 × 840 × 840 / 53 × 950 × 950	288 × 840 × 840 / 53 × 950 × 950	288 × 840 × 840 / 53 × 950 × 950	288 × 840 × 840 / 53 × 950 × 950
	Outdoor	mm	542 × 799 × 290	632 × 799 × 290	788 × 940 × 320	788 × 940 × 320	998 × 940 × 320	998 × 940 × 320	788 × 940 × 320	998 × 940 × 320	998 × 940 × 320
Weight	Indoor / grille	kg	23/6.0	24/6.0	26/6.0	29/6.0	29/6.0	29/6.0	29/6.0	29/6.0	29/6.0
	Outdoor	kg	33	38	52	52	61	63	53	62	63
Piping Connections (Small / Large)		mm	6.35/12.70	6.35/12.70	9.52/15.88	9.52/15.88	9.52/15.88	9.52/15.88	9.52/15.88	9.52/15.88	9.52/15.88
Drain port Diameter (I.D./O.D.)		mm	25/32	25/32	25/32	25/32	25/32	25/32	25/32	25/32	25/32
Max. Pipe Length (Pre-Charge)		m	20 (15)	25 (20)	30 (30)	30 (30)	30 (30)	30 (30)	30 (30)	30 (30)	30 (30)
Max. Height Difference		m	15	20	30	30	30	30	30	30	30
Operating Range	Cooling	°CDB	-10 to 46	-10 to 46	-10 to 46	-10 to 46	-10 to 46	-10 to 46	-10 to 46	-10 to 46	-10 to 46
	Heating	°CDB	-15 to 24	-15 to 24	-15 to 24	-15 to 24	-15 to 24	-15 to 24	-15 to 24	-15 to 24	-15 to 24
Refrigerant			R32	R32	R32	R32	R32	R32	R32	R32	R32
Cassette Grille	Model name		UTG-UKGA-W: White wired remote controller (touch panel) / UTG-UKGC-W: White/UTG-UKGA-B*: Black								

Optional parts

Compact wired remote controller:	UTY-RCRGZ1 UTY-RCRGZ1K	WLAN adapter:	UTY-TFSXZ2 UTY-XCSX	Cassette Grille:	UTG-UKGA-B UTG-UKGA-W
Wired remote controller (touch panel):	UTY-RNRGZ5	External input and output PCB:	UTZ-GXRA	UTG-UKGC-W	
Wired remote controller:	UTY-RLRG UTY-RNNGM UTY-RVNGM	External input and output PCB box:	UTZ-KXRA	Network Converter for single split (DC power supply type):	UTY-VTGX
	UTY-RHRG UTY-RSRG UTY-RSNGM	Insulation kit for high humidity:	UTZ-VXRA	Network Converter for single split (AC power supply type):	UTY-VTGXV
Simple remote controller (without operation mode):	UTY-RHRG	Fresh air intake kit:	UTG-AXXA-W	External switch controller:	UTY-TERX
Simple remote controller:	UTY-RSRG UTY-RSNGM	Wide Panel:	UTG-BKXA-W		
Human sensor kit:	UTY-SHZXC	Panel Spacer:	UTG-XWZXZG	(Outdoor unit 30/36/45/54)	
IR receiver unit	UTY-LBTGC	External connect kit:	UTY-VMSX	External connect kit:	UTY-XWZXZ3
		MODBUS converter:	UTY-VKXSX		
		KNX Converter:	UTY-VKXSX		
		Air Outlet Shutter Plate:	UTR-YDZK		

Dimensions

(Unit: mm)



(): AUXG18/24KRLB