

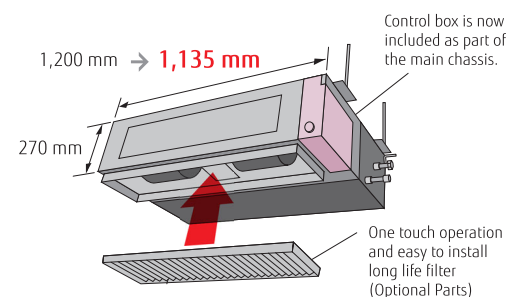
Medium Static Pressure Duct Standard



(30/36/45)

Slim & Compact design

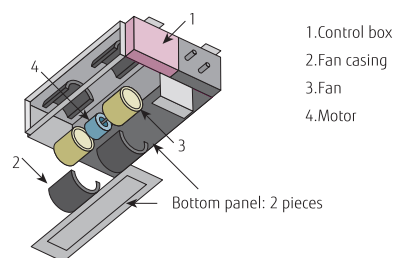
In the case of bottom return air connection, not only does the indoor unit design allow for installation in a narrow ceiling space of up to 270 mm, further space savings have been achieved by mounting the control box internally inside the chassis.



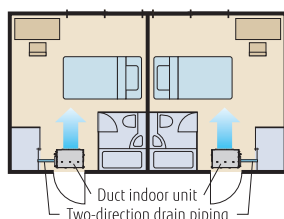
Easy maintenance

Structural improvement is attained by making the bottom panel two pieces, front and rear. The internal fan casing is also manufactured in two pieces, namely upper and lower. The maintenance of the motor and fan can be easily carried out by removing the rear panel and the lower part of the casing while leaving the main chassis installed.

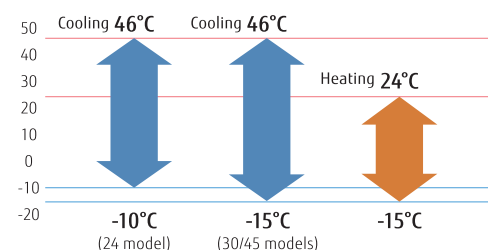
See below for the case of rear suction type



Two-direction drain piping



Wide operation range



Model: ARXG24KMLA / ARXG30KMLA / ARXG36KMLA / ARXG45KMLA
ARXG36KMLA [3-phase] / ARXG45KMLA [3-phase]



Specifications

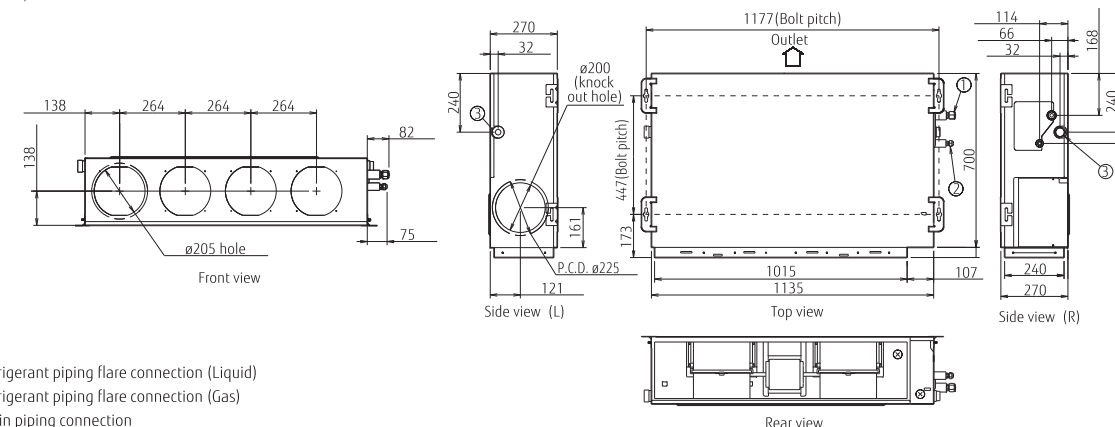
Model name	Indoor unit		ARXG24KMLA	ARXG30KMLA	ARXG36KMLA	ARXG45KMLA	ARXG36KMLA	ARXG45KMLA
	Outdoor unit		AOHG24KATA	AOHG30KATA	AOHG36KATA	AOHG45KATA	AOHG36KQTA	AOHG45KQTA
Power Source	V/Ø/Hz		230/1/50	230/1/50	230/1/50	230/1/50	400/3/50	400/3/50
	kW		6.8 (0.9-7.4)	8.5 (2.8-9.6)	9.5 (2.8-10.6)	12.1 (4.0-12.6)	9.5 (2.8-10.6)	12.1 (4.0-12.6)
Capacity	Cooling (Min.-Max.)	Btu/h	23,200 (3,100-25,200)	29,000 (9,600-32,700)	32,400 (9,600-36,100)	41,300 (13,600-43,000)	32,400 (9,600-36,100)	41,300 (13,600-43,000)
		kW	7.5 (0.9-8.6)	10.0 (2.7-10.8)	10.8 (2.7-12.5)	13.5 (4.2-15.0)	10.8 (2.7-12.5)	13.5 (4.2-15.0)
Input Power	Cooling/Heating	kW	2.19/2.00	2.78/2.77	3.13/3.03	4.84/4.18	3.13/3.03	4.84/4.18
		W/W	3.11	3.06	3.04	2.50	3.04	2.50
EER	Cooling	W/W	3.75	3.61	3.56	3.23	3.56	3.23
		W/W	3.75	3.61	3.56	3.23	3.56	3.23
COP	Heating	W/W	9.7 / 8.8	12.3 / 12.3	13.8 / 13.4	21.3 / 18.3	6.0 / 5.8	8.6 / 7.6
		A	9.7 / 8.8	12.3 / 12.3	13.8 / 13.4	21.3 / 18.3	6.0 / 5.8	8.6 / 7.6
Running Current	Cooling/Heating	A	2.5	2.5	3.0	4.0	3.0	4.0
		l/h	2.5	2.5	3.0	4.0	3.0	4.0
Moisture Removal	Indoor (Cooling)(H/M/L/Q)	l/h	31 / 29 / 27 / 25	39 / 35 / 30 / 26	39 / 35 / 30 / 26	42 / 38 / 32 / 28	39 / 35 / 30 / 26	42 / 38 / 32 / 28
		Indoor (Heating)(H/M/L/Q)	31 / 29 / 27 / 25	42 / 35 / 30 / 26	42 / 35 / 30 / 26	42 / 38 / 32 / 28	42 / 35 / 30 / 26	42 / 38 / 32 / 28
Sound Pressure Level	Outdoor	dB(A)	54/55	53/55	55/55	58/59	55/55	58/59
		dB(A)	54/55	53/55	55/55	58/59	55/55	58/59
Airflow Rate (Cooling/Heating)	Indoor (High)	m³/h	1,100/1,100	1,900/2,100	1,900/2,100	2,100/2,100	1,900/2,100	2,100/2,100
		m³/h	2,885/2,350	3,750/3,750	3,750/3,750	4,450/4,450	3,750/3,750	4,450/4,450
Net Dimensions H x W x D	Indoor	mm	270 × 1,135 × 700	270 × 1,135 × 700	270 × 1,135 × 700	270 × 1,135 × 700	270 × 1,135 × 700	270 × 1,135 × 700
		kg	35	38	38	39	38	39
Weight	Outdoor	mm	632 × 799 × 290	788 × 940 × 320	788 × 940 × 320	998 × 940 × 320	788 × 940 × 320	998 × 940 × 320
		kg	38	52	52	61	53	62
Piping Connections (Small / Large)	mm	mm	6.35/12.70	9.52/15.88	9.52/15.88	9.52/15.88	9.52/15.88	9.52/15.88
		mm	25/32	25/32	25/32	25/32	35.7/38.1	35.7/38.1
Drain port Diameter (I.D./O.D.)	m	m	25 (20)	30 (30)	30 (30)	30 (30)	30 (30)	30 (30)
		m	20	30	30	30	30	30
Max. Height Difference	°CDB	°CDB	-10 to 46	-10 to 46	-10 to 46	-10 to 46	-10 to 46	-10 to 46
		°CDB	-15 to 24	-15 to 24	-15 to 24	-15 to 24	-15 to 24	-15 to 24
Operating Range	°CDB	°CDB	-10 to 46	-10 to 46	-10 to 46	-10 to 46	-10 to 46	-10 to 46
		°CDB	-15 to 24	-15 to 24	-15 to 24	-15 to 24	-15 to 24	-15 to 24
Refrigerant		R32	R32	R32	R32	R32	R32	

Optional parts

Compact wired remote controller:	UTY-RCRGZ1 UTY-RCRGZ1K UTY-RNRGZ5	WLAN adapter:	UTY-TFSXZ2	Network Converter for single split (DC power supply type):	UTY-VTGX
Wired remote controller (touch panel):	UTY-RRLRG UTY-RNNGM UTY-RVNGM	Flange (Round):	UTD-RF204	Network Converter for single split (AC power supply type):	UTY-VTGXV
Wired remote controller:	UTY-RHRG UTY-RSRG UTY-RSNGM	Flange (Square):	UTD-SF045T	MODBUS converter:	UTY-VMSX
Simple remote controller (without operation mode):	UTY-RHRG	IR receiver unit:	UTY-LBTGM	KNX Converter:	UTY-VKSX
Simple remote controller:	UTY-RSRG UTY-RSNGM	Remote sensor unit:	UTY-XSZXZ1	(Outdoor unit 30/36/45)	
		External connect kit:	UTY-XWZXZG	External connect kit:	UTY-XWZXZG
		External switch controller:	UTY-TERX		
		Long-life filter:	UTD-LF25NA		
		Drain pump unit:	UTZ-PX1NBA		

Dimensions

(Unit: mm)



- ① Refrigerant piping flare connection (Liquid)
- ② Refrigerant piping flare connection (Gas)
- ③ Drain piping connection